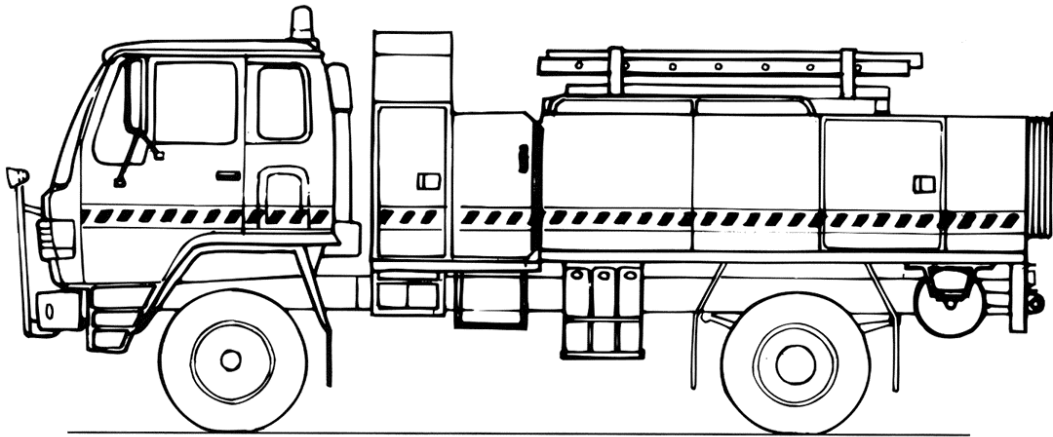


The Fire Truck

Label the parts of this fire truck.



Complete each sentence.

The siren helps to
Hoses are used for
The ladder goes up when